

# PEM R1290series

## NON ELECTRIC, FLOAT VALVE POOL FILLERS

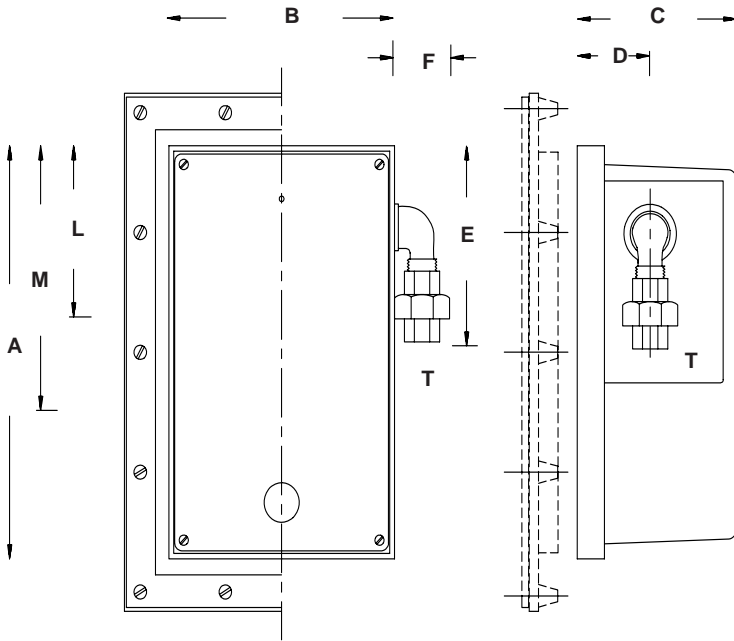
---

### INDEX

| #        | PEM     | DESCRIPTION  | SECTION        |
|----------|---------|--|----------------|
|          |         | <b>INDEX</b>   | <b>R1290-1</b> |
| 480-1110 | R1291-1 | In Composition Niche for Concrete Ponds,<br>1/2"                                 | R1290-2        |
| 480-1120 | R1291-2 | In Composition Niche for Surface Liner Ponds,<br>1/2"                            | R1290-2        |
| 480-1150 | R1292-1 | In Composition Niche for Concrete Ponds,<br>1/2" with 1 1/2" Overflow            | R1290-2        |
| 480-1160 | R1292-2 | In Composition Niche for Surface Liner Ponds,<br>1/2" with 1 1/2" Overflow       | R1290-2        |
| 480-3030 | R1293-1 | In PVC Remote In Ground Pool Filler,<br>1/2" with 1 1/2" Overflow                | R1290-3        |
| 480-4010 | R1294   | In Composition Niche,<br>1", with Options  | R1290-3        |
| 480-4221 | R1295-1 | In Bronze Niche for Concrete Ponds,<br>1/2" with 3"NPS Overflow                  | R1290-3        |
| 480-4223 | R1295-3 | In Bronze Niche for Concrete Ponds,<br>1/2" with 75mm PVC Overflow               | R1290-3        |
| 480-4222 | R1295-2 | In Bronze Niche for Surface Liner Ponds,<br>1/2" with 3"NPS Overflow             | R1290-3        |
| 480-4024 | R1295-4 | In Bronze Niche for Surface Liner Ponds,<br>1/2" with 75mm PVC Overflow          | R1290-3        |
| 480-331  | R1296-1 | In Composition Niche for Concrete Ponds,<br>1" with 4" NPS/BSP Overflow          | R1290-4        |
| 480-332  | R1296-2 | In Stainless Steel Niche for Concrete Ponds,<br>1" with 4" NPS/BSP Overflow      | R1290-4        |
| 480-333  | R1296-3 | In Composition Niche for Surface Liner Ponds,<br>1" with 4" NPS/BSP Overflow     | R1290-4        |
| 480-334  | R1296-4 | In Stainless Steel Niche for Surface Liner Ponds,<br>1" with 4" NPS/BSP Overflow | R1290-4        |
|          |         | Parts for above  | R1290-5        |

# Pond Filler PEM R1291

For : CONCRETE PONDS  
 # 480-111, PEM R1291 - 1  
 For : LINER PONDS  
 # 480-112 PEM R1291 - 2



T : 1/2" NPT/BSP

**DIMENSIONS: R1291-1**

|     | A    | B   | C   | D   | E   | F   | L    | M    |
|-----|------|-----|-----|-----|-----|-----|------|------|
| mm  | 264  | 164 | 115 | 54  | 126 | 40  | 128  | 185  |
| " * | 10.4 | 6.5 | 4.5 | 2.1 | 5.0 | 1.6 | 5.04 | 7.28 |

**DIMENSIONS: R1291-2**

|     | A    | B   | C   | D   | E   | F   | L   | M    |
|-----|------|-----|-----|-----|-----|-----|-----|------|
| mm  | 328  | 226 | 121 | 59  | 160 | 40  | 160 | 217  |
| " * | 12.9 | 8.9 | 4.8 | 2.3 | 6.3 | 1.6 | 6.3 | 8.54 |



R1291 & R1292  
with Cover



**PEM R1291** is made of a cast bronze frame with a stainless steel cover, Kydex niche, bronze, brass and stainless steel fitted. The **PEM R1291-2**, has Liner clamp of cast bronze, stainless steel fitted and Paste Gasket. The **PEM R1291** Auto Pond Filler is for concrete pools with up to 20 m<sup>2</sup> pool surface area. Fill level is adjustable between 'L' & 'M', not to exceed 'L'.

**PEM R1291** employs a sanitary 22 L/min float valve that can be disconnected above waterlevel and permits waterlevel adjustment after installation. For servicing, the float valve can easily be removed from the housing. The float of the valve has been made surface pollution resistant.

# Auto Pond Filler with 65mm-2 1/2" Overflow PEM R1292

**PEM R 1292** Auto Pond Filler and Overflow Combi for concrete ponds up to 20 m<sup>2</sup> surface. **Overflow level** is adjustable between : 'N' & 'O' but not to exceed 'N'!  
**Fill level** is adjustable between : 'L' & 'M', but not to exceed 'L'.

For : CONCRETE PONDS  
 # 480-115, PEM R1292 - 1  
 For : LINER PONDS  
 # 480-116 PEM R1292 - 2

**PEM R 1292** employs a sanitary 22 L/min float valve that can be disconnected above waterlevel and permits waterlevel adjustment after installation. For servicing, the float valve can easily be removed from the housing. The float of the valve has been made surface pollution resistant. For manual service pool filling use separate, larger size pipe with PEM R1240 / R1260 Fill Spouts.

**PEM 1292** is made of cast bronze frame, stainless steel cover, Kydex niche, brass & stainless steel fitted **PEM R1292-2**, has Liner clamp of cast bronze, stainless steel fitted and Paste Gasket.

T : 1/2" NPT/BSP - Overflow: 1 1/2" NPT/BSP

**DIMENSIONS: R1292-1**

|     | A    | B   | C   | D   | E   | F   | G   | H   | J   | K   | L    | M    | N   | O   |
|-----|------|-----|-----|-----|-----|-----|-----|-----|-----|-----|------|------|-----|-----|
| mm  | 264  | 164 | 115 | 54  | 126 | 40  | 35  | 55  | 76  | 50  | 128  | 185  | 165 | 125 |
| " * | 10.4 | 6.5 | 4.5 | 2.1 | 5.0 | 1.6 | 1.4 | 2.2 | 3.0 | 2.0 | 5.04 | 7.28 | 6.5 | 5.0 |

**DIMENSIONS: R1292-2**

|     | A    | B   | C   | D   | E   | F   | G   | H   | J   | K   | L   | M    | N   | O   |
|-----|------|-----|-----|-----|-----|-----|-----|-----|-----|-----|-----|------|-----|-----|
| mm  | 328  | 226 | 121 | 59  | 160 | 40  | 35  | 89  | 80  | 50  | 160 | 217  | 197 | 157 |
| " * | 12.9 | 8.9 | 4.8 | 2.3 | 6.3 | 1.8 | 1.4 | 3.5 | 3.2 | 2.0 | 6.3 | 8.54 | 7.8 | 6.2 |



# PEM R1293-1

All Systems on this page are for Separated Water Supplies only!

#480-3030



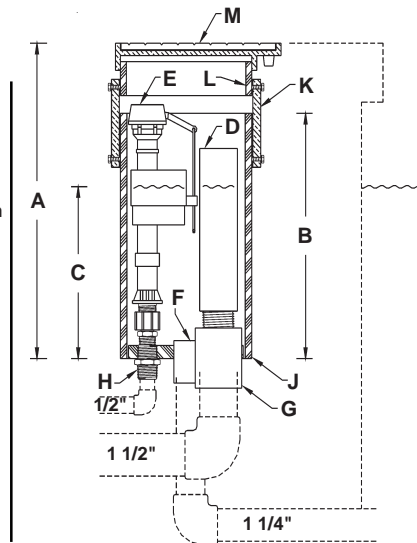
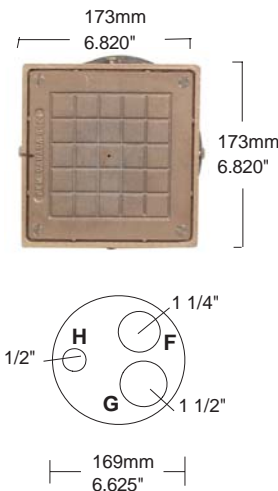
## REMOTE POOL FILLER & OVERFLOW

The PEMR1293-1 Remote Pool Filler & Overflow is designed for small pools to maintain a desired water level. The unit must be installed at the same level as the pool. The square cover fits into tiled pavement. The pool must have separate manual water supply for service fill up. Max. suggested pressure = 50 PSI, 344 KPA, 115 Ft Head, 35.22m Head or 35 bar.

PEMR1293-1 is made of fabricated PVC and cast bronze, stainless steel fitted.

### DIMENSIONS :

- A 305mm\12.0-14.0"
- B 254mm\10.0"
- C 152mm-200mm\6.0"-8.0"
- D 40mm / 1 1/2", 228mm\9.0"
- E Float valve with level adjustment.
- F 1 1/4" NPT/BSP connection to pool.
- G 1 1/2" NPT/BSP pipe connection to pool drain.
- H 1/2" NPT/BSP pipe connection for Water Supply
- J PVC Enclosure to dimension 'B'
- K PVC Slip sleeve with stainless steel set bolts
- L PVC Enclosure extension
- M Square Cast bronze access cover



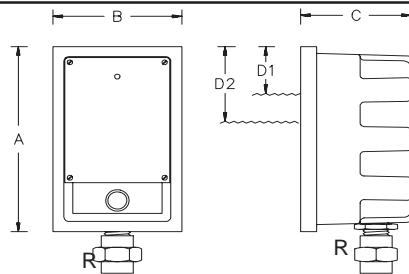
# PEM R1294 ENCLOSED 1" AUTO POOL FILLER

#480-4010



PEM R1294 wall mounted enclosed automatic pool filling device for medium to larger size fountain pools. Can be adjusted after installation to fill pool to desired water level from shown minimum to maximum level and automatically maintains the same within a 10mm-0.400" level differential. The device operates on an hydraulic / float valve mechanism and provides a full flow of a 1" valve. Maximum water pressure : 50 PSI / 3 bar.

This device must be protected from freezing while supply pipe is filled with water, install a drain valve. This unit is not suitable for installation into swimming or other pools in freezing climates that are subject to flooding of this water make up device. Cover is stainless steel in a bronze frame. Forming Niche of Kydex or ABS, with Brass, bronze valving, stainless steel and neoprene fitted.



### DIMENSIONS :

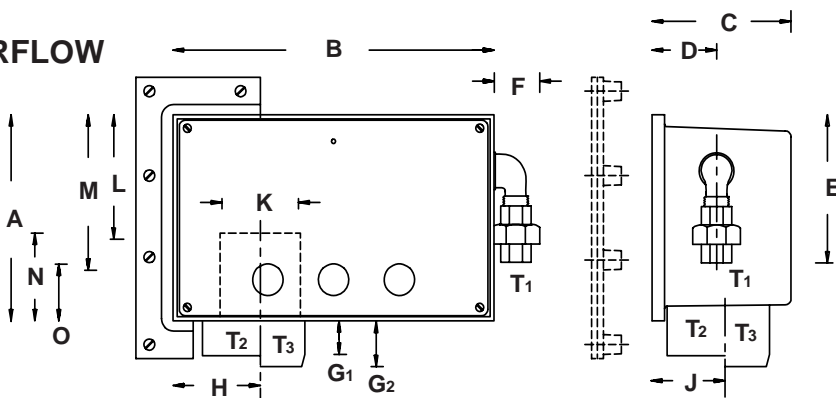
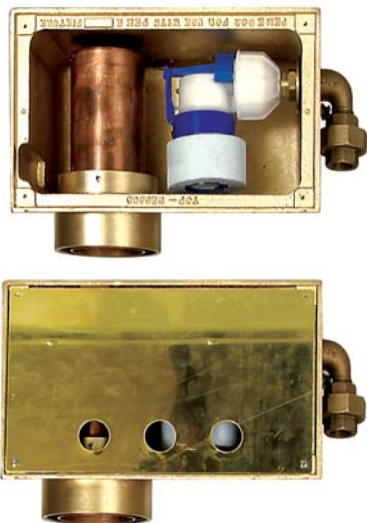
- A 254mm / 10.0"
- B 162mm / 6.375"
- C 143mm / 5.625"
- D1 Max. Adj. Water Level: 76mm - 3.0"
- D2 Min. Adj. Water Level: 150mm - 6.0"
- R 1" NPT - BSP,

OPTIONAL & EXTRA: Tilemask: Add /-58  
Surface Puddle Flange : Add /-60  
Surface Liner Clamp : Add /-62

# PEM R1295 AUTO FILLER & OVERFLOW

#480-4020

- For: Concrete Pools
- # 480-221, PEM R1295 - 1, 3" (T2)
- # 480-223, PEM R1295 - 3, 75mm PVC (T3)
- For: Liner Pools
- # 480-222, PEM R1295 - 2, 3" (T2)
- # 480-224, PEM R1295 - 4, 75mm PVC (T3)



### DIMENSIONS: R1295-1 & -3

| T1   | T2 | T3  | A   | B   | C   | D  | E   | F  | G1 | G2 | H  | J  | K  | L   | M   | N  | O  |
|------|----|-----|-----|-----|-----|----|-----|----|----|----|----|----|----|-----|-----|----|----|
|      |    | PVC | mm  | mm  | mm  | mm | mm  | mm | mm | mm | mm | mm | mm | mm  | mm  | mm | mm |
| 1/2" | 3" | 75  | 164 | 267 | 117 | 54 | 119 | 38 | 28 | 37 | 73 | 61 | 65 | 100 | 125 | 70 | 46 |

### DIMENSIONS: R1295 - 2 & 4

| T1   | T2 | T3  | A   | B   | C   | D  | E   | F  | G1 | G2 | H   | J  | K  | L   | M   | N   | O  |
|------|----|-----|-----|-----|-----|----|-----|----|----|----|-----|----|----|-----|-----|-----|----|
|      |    | PVC | mm  | mm  | mm  | mm | mm  | mm | mm | mm | mm  | mm | mm | mm  | mm  | mm  | mm |
| 1/2" | 3" | 75  | 226 | 329 | 122 | 59 | 150 | 38 | 28 | 37 | 104 | 67 | 65 | 131 | 156 | 101 | 77 |

PEMR 1295 Auto Pool Filler and Overflow Combination for concrete pools up to 30m<sup>2</sup> surface area. Overflow level is adjustable between 'N' & 'O', not to exceed 'N'. Fill level is adjustable between 'L' & 'M', but not to exceed 'L'. PEM R 1295 Combinations are made with cast bronze niche, stainless steel cover, bronze, brass and stainless steel fitted.

T3: 75mm PVC Slip Fit for DIN 19534 PVC Pipe. PEMR 1295-2 & -4 have liner clamp of cast bronze, stainless steel fitted with Paste Gasket. For manual service pool filling use separate, larger size pipe with PEMR1240/R1260 Fill Spouts.

# PEM R1290series - 3 of 5

Controls 2006-10 replacing 2005-2

# PEM R1296

THIS DEVICE REQUIRES A SEPARATED WATER SUPPLY

## Wall mounted 1" Auto Filler & 110mm / 4" NPS / BSP Overflow Combination

### For: Concrete Pools

With Plastic Forming Niche

# 480-331 **PEM R 1296 - 1**

With Stainless Steel Forming Niche

# 480-332 **PEM R 1296- 2**

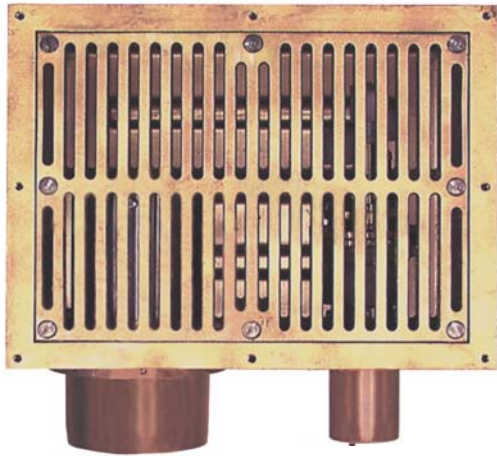
### For: Surface Liner Pools

With Plastic Forming Niche

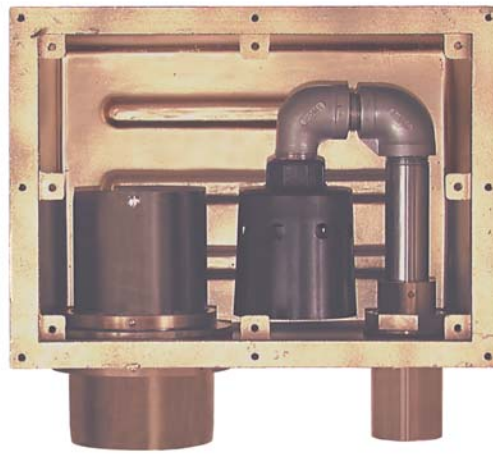
# 480-333 **PEM R 1296 - 3**

With Stainless Steel Forming Niche

# 480-334 **PEM R1296- 4**



Front View  
(Closed)



Front View  
(Open)



Side View

### CONSTRUCTION:

The assembly has cast bronze Frame, Grating, Internal Fittings & Surface Liner Clamp fitted with stainless steel overflow tube, piping & fasteners. The Auto Filler ( Float Valve) is made of ABS plastic with neoprene seal and is stainless steel fitted.

The concrete forming niche can be supplied in plastic or in stainless steel, see above specification.

Either forming niche serves solely to form the concrete niche for the internal equipment and is watertight.

The overflow tube and the Auto Filler (Float Valve) have a 40mm vertical adjustment after installation.

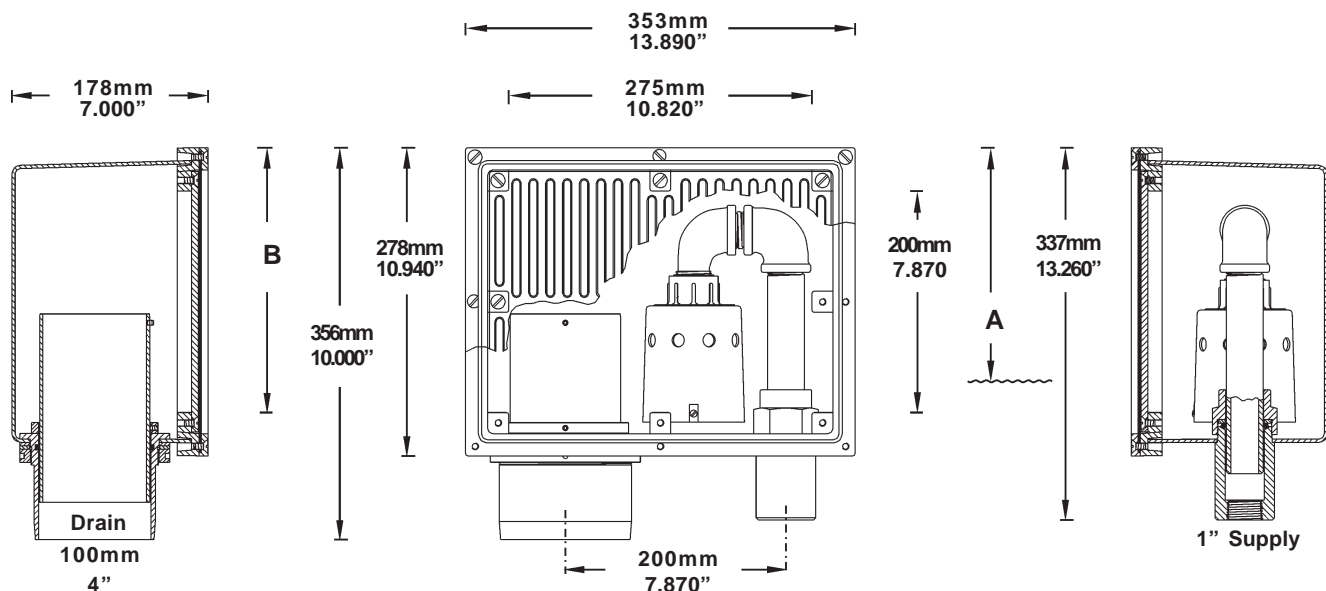
The 1" Auto Filler is for a suggested max flow of 57 L/min \ 15 USPGM X Max. 138 bar / 60 PSI water pressure, but also for minimum pressure of 1.2 bar \ 5 PSI with reduced flow as in separated water supplies.

**The overflow is suggested for a water surface of 25 m<sup>2</sup> \ 270 Sqft. The Overflow Weir length is 0.32m \ 1.05 Ft.**

### DIMENSIONS

A = +/- 133/168mm - 5.230/6.610"

B = +/- 150/240mm - 5.900"/9.440"



**PARTS FOR PEM R1290 series**  
**NON ELECTRIC, FLOAT VALVE POOL FILLERS**

---

| <b>#</b> | <b>PEM</b>   | <b>DESCRIPTION</b>               |
|----------|--------------|----------------------------------|
| 404-0110 | R1290/-03    | Internal Valve Assembly          |
| 404-0210 | R1291/92-03  | Internal Valve Assembly          |
| 404-0250 | R1291/92/-05 | Stainless Steel Cover with bolts |
| 404-0260 | R1291/92/-06 | Set of bolts for cover           |
| 404-0320 | R1293/-03    | Internal Valve Assembly          |
| 404-0350 | R1293/-05    | Cover with bolts                 |
| 404-0360 | R1293/-06    | Set of bolts for cover           |
| 404-0520 | R1294/-01    | Floatvalve assembly              |
| 404-0530 | R1294/-02    | Float for floatvalve             |
| 404-0550 | R1294/-04    | Main Valve Cover (If frozen Up)  |
| 404-0560 | R1294/-05    | Main Valve Diaphragm             |
| 404-0580 | R1294/-07    | Cover with bolts                 |
| 404-0590 | R1294/-08    | Set of bolts for cover           |
| 404-0620 | R1296/-01    | Floatvalve assembly              |
| 404-0680 | R1296/-07    | Cover with bolts                 |
| 404-0690 | R1296/-08    | Set of bolts for cover           |