



PEM 953, 1 1/2" AERATED JETS to 2.4M, 8' with PEM 2100 RGB-LED, 12 X 3W, 12VAC

PEM E2100

SUBMERSIBLE RING LIGHT FIXTURE
For 60 Hz Areas



PEM E2100
with Groutframe 'B'



PEM E 2100, CENTERLINE LIGHT OUTPUT PERFORMANCES AT HEIGHT ABOVE FIXTURE LENS:

With LED, RGB , Ring Fixture LED Assembly ,
with 4 x 3 (12) - 3 Watt, Red, Green & Blue LED's with total of 36 W., 12 VAC

Height above Lens	Lumen	CP-Candle Power
1.0 m / 3.28 Feet	1232 / 503	98 / 40
2.0m / 6.56 Feet	540 / 150	43 / 12
3.0m / 9.84 Feet	314 / 100	25 / 8

(Maximum / Minimum RGB Output Range)

PEM E 2100 - SUBMERSIBLE RING LIGHT FIXTURE FOR 60 Hz

WITH 48mm (1.89") CLAMP ON, PASS THROUGH OPENING. & Optical Clear Poly. Carbonate (LEXAN) Cover.
LED Illumination available in solid White, Red, Blue, Green & Amber, or colour changing RGB illumination
for Low Voltage, Class 2 Circuits at 60 Hz

For 50 Hz areas see: PEM E2200 for 24VDC Circuits

PEM E 2100-Type 'A'

FOR 12V-AC WITH INTEGRAL PROGRAMMING, WITH 2 CONDUCTOR CABLE,
No DMX remote Programming!
2 X 12VAC IN, 2.7m cable 16-3 AWG, Type SOW / SOOW

PEM E 2100-Type 'B'

FOR 12V- AC POWER SUPPLY & 12 VDC - DMX WITH 4 CONDUCTOR CABLE
FOR DMX PARALLEL PROGRAMMING,
2 X 12VAC POWER IN & 2 X 12VDC- DMX IN, 2.7m cable 16-5 AWG, Type SOW / SOOW

PEM E 2100-Type 'C'

FOR 12V-AC POWER SUPPLY & 12 VDC - DMX WITH 6 CONDUCTOR CABLE
FOR DMX SERIAL PROGRAMMING,
2 X 12VAC POWER IN & 12VDC-DMX, 2 X IN & 2 X OUT, 2.7m cable 16-7 AWG, Type SOW / SOOW

FIXTURE HOUSING & FACERING:

PEM 2100 RING Light Fixtures are available for fresh water in Bronze Casting
PEM 2100-SW RING Light Fixtures (Marked: SW) for saltwater are available in saltwater bronze.
MOUNTING OPTIONS: Clamp On to 1 1/2" Pipe or see Page 2 for Grout Frames & Holding Plate.

LENS: FLAT CLEAR LENS of 12mm (0.5") Poly. Carbonate (Bullet Proof Plastic)

LENS 'O' Ring GASKETS : O Rings made of EPDM Rubber

CABLE: See above. Longer cables requires shielded conductors and are custom quoted and made.
LED RING PLATE with plug in connections.

Offered and sold separately from fixture at published terms and conditions of sale for 'Lamps'

OR

Supplied by purchaser to PEM Factory for installation without obligation of LED PLATE & ASSEMBLY
including operational testing, and torqued closure of fixture(s) at cost. (See: Pricelist).

PEM E2100 SUBMERSIBLE RING LIGHT FIXTURE

60Hz

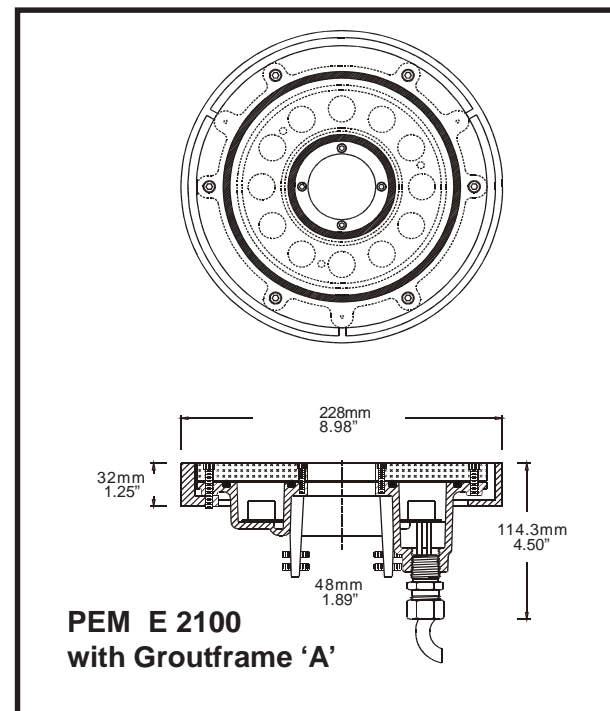
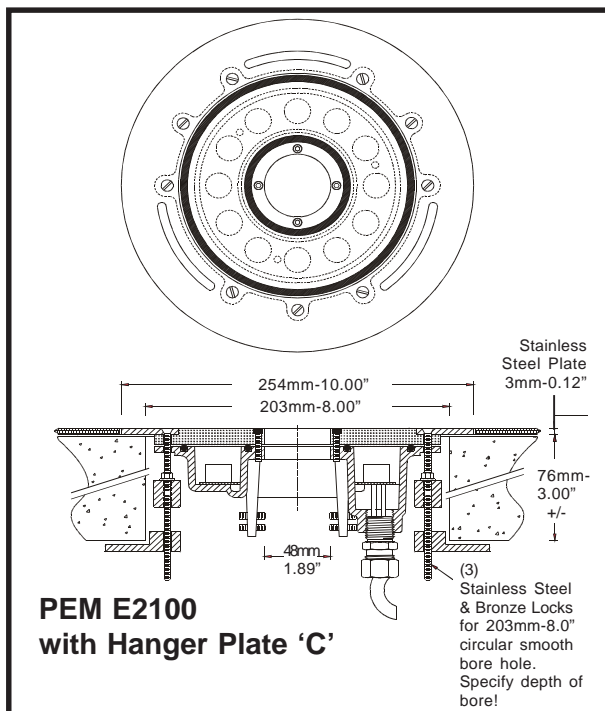
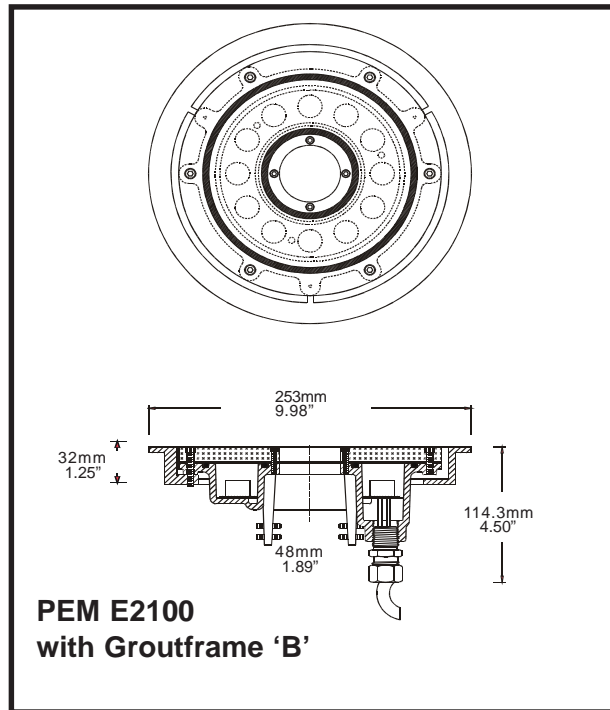


PEM E 2100 (RGB)
with Groutframe 'B'



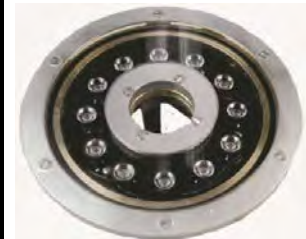
PEM 14-6, 1 1/2" AERATED JETS to 1.5M, 5' with PEM 2100 RGB-LED, 12 X 3W, 24VDC

DIMENSIONS





E2100



E2100 Top View



E2100 LED Ring Plate



E2100 Side View



PEM J4A Junction Box & J14 Cordseals



Optional Terminal Blocks in Junction Box

SERIAL #	PEM ORDER #	E2100 RING FIXTURES W. 12 X 3W. LED'S	CABLE Length & Size	W. Kg
		E2100		
		TYPE	E2100 BASIC RING LIGHT FIXTURES FOR 12 X 3W. LED'S	
334-3201	-A-	With 1 cordseal, sealed cable entry, 12 VAC	9.0' x 16-3 AWG	4.8
334-3203	-B-	With 1 cordseal, sealed cable entry, 12VAC & 12 VDC	9.0' x 16-45AWG	5.0
334-3205	-C-	With 1 cordseal, sealed cable entry, 12VAC & 12 VDC	9.0' x 16-7 AWG	5.3
		Required for Installation		
		Cast Bronze Additions to Basic Ring Light Fixture		
334-310504	E2100-04	Circular Hanger Plate for 188mm / 7.4" Opening		2.7
334-320506	E2100-06	Square 279mm/11.0" Square Hanger Plate for 254mm/10.0" Opening		6.7
334-310507	E2100-07	Square 305mm/12.0" Square Hanger Plate for 254mm/10.0" Opening		6.9
334-310516	E2100-16	228mm/8.98" Circular Grout Frame to be cast into concrete		3.4
334-310528	E2100-28	253mm/9.98" Circular Grout Frame for Pebble Surfaced Concrete		3.9
		LED RING PLATES FOR PEM E2100, TYPES A,B,C		
		U.I.I. LED Plates are NOT included, are extra and additional		
		12 X 3W COLOUR (Add colour number to SERIAL & ORDER NUMBER)		
U.I.I.204...	U.I.I.-204...	030 - White (Cree LED's)		0.7
U.I.I.204...	U.I.I.-204...	031-White, 032-Red, 033-Blue, 034-Green, 055-Amber (Edison LED's)		0.7
U.I.I.204...	U.I.I.-204...	037 - RGB Internal Control & External DMX Override (Edison LED's)		0.7
		1. LED plates can be factory supplied & installed at no extra cost into fixture when purchased with same.		
		2. LED plates can be installed by others into purchased for the purpose PEM fixtures.		
		3. LED plates can be purchaser supplied to PEM for installation without obligation into PEM fixtures at extra charge :		
HTP100	HTP100	Heat Transfer Paste, 100 gr (1 -4 plates)		0.2
		POWER & DATA Equipment		
INT.PX600-S	INT.PX600-S	Intermatic, PX600-S, Safety Transformer, 120V-6A. X 12,13 or 14 V		15.5
U.I.I.512-300	U.I.I. DMX-300	Programmable DMX -512 Controller for 170 Lights by U.I.I.		0.9
U.I.I. 512-100	U.I.I. DMX-100	Preprogrammed DMX -512 Controller for 170 Lights by U.I.I.		0.3
U.I.I.-170C	U.I.I.-170C	Coder for up to 170 addresses in 3 Channels by U.I.I.		0.8
U.I.I. -1024	U.I.I.-1024C	Coder for up to 1024 addresses in 3 Channels by U.I.I.		0.4
		PEM JUNCTION BOXES		
363-1210-LED	J2-2-LED	J 2 Box for up to 2 x E1450 ,3/4 "NPT/BSP Conduit Inlet,		2.7
		Optional 4 x 2 Terminal Blocks		0.3
		Optional 6 x 2 Terminal Blocks		0.5
363-1410-LED	J3-4-LED	J 3 Box for up to 4 x E1450 ,1 "NPT/BSP Conduit Inlet,		4.2
		Optional 4 x 4 Terminal Blocks		0.7
		Optional 6 x 4 Terminal Blocks		0.9
363-1510A-LED	J3D-LED	J 3D Box for up to 8 x E1450 ,1 "NPT/BSP Conduit Inlet		5.4
		Optional 4 x 8 Terminal Blocks		1,0
		Optional 6 x 8 Terminal Blocks		1.2
363-1710-LED	J6-16-LED	J 5 Box for up to 16 x E1450 ,1 1/2"NPT/BSP Conduit Inlet,		7.6
		Optional 4 x 16 Terminal Blocks		1.3
		Optional 6 x 16 Terminal Blocks		1.5
378-0171	J14	J14-3, 1/2" Stainless Steel Cordseals for AWG 3-16 & 4-16 Cable		0.6
378-3210	J15-21	J21-3, 1/2" Stainless Steel Cordseals for AWG 7 - 16 Cable		0.8
378-0169	J 004	1/2"-3 NPT, St.St. CLOSING PLUGS for unused side openings		0.2