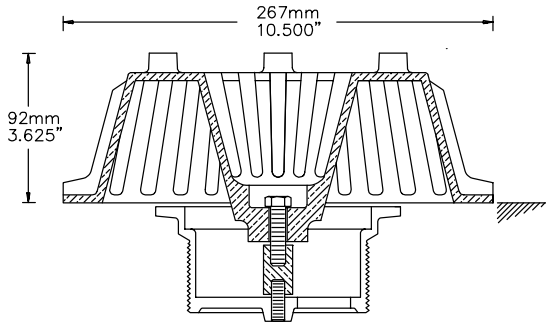


BASE, BASE-OPTION & FITTING TO BE ORDERED TOGETHER AS REQUIRED BUT ACCOUNTED FOR SEPARATELY. The drawings on this page show a base, which is not included in fitting option.

CAST BRONZE SUCTION STRAINER **PEM 6284**



PEM 6284 Suction Strainer
is made of cast bronze,

#610-7010

PEM 6284 is factory fitted to base :

Suggested use is as pump suction strainer or equalizing pipe fitting.

This suction fitting is subject to vortexing when used as pump suction strainer.

Factory fitted to choice of base.

Effective Open Area: 275 cm² \ 42 sq. inches
Suggested maximum suction flow :
With 500mm \ 20" water over fitting = 190 L/min \ 50 GPM
With 1000mm \ 39" water over fitting = 380 L/min \ 100 GPM

TO SPECIFY & ORDER :
Base + Base Option + Fitting



PEM 6284 with Base 6114

CAST BRONZE ANTI-VORTEX SUCTION STRAINER **PEM 6284 AV**

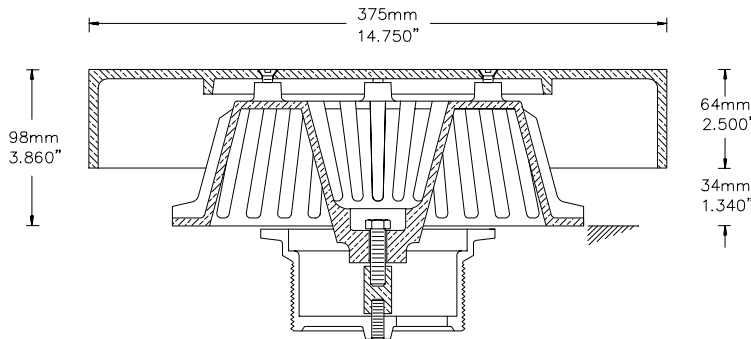
PEM 6284-1 AV Suction Strainer is made of cast bronze, brass and stainless steel fitted Factory fitted to choice of base. Suggested use also as discharge fitting.

PEM 6284-1 # 610-7020

PEM 6284-2 AV as above but with Formed Plastic AV Cover

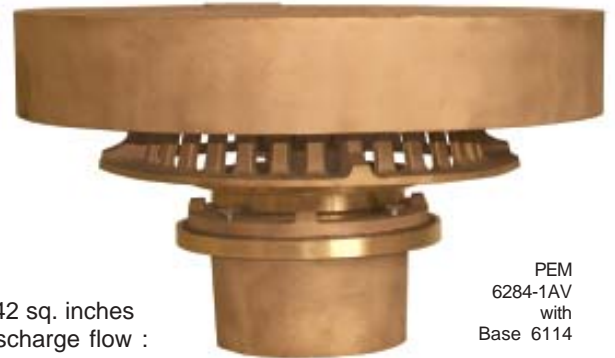
PEM 6284-2 # 610-7021

PEM 6284 AV is factory fitted to base:



Effective Open Area : 275 cm² \ 42 sq. inches
Suggested maximum suction / discharge flow :
With 150mm \ 6" water over fitting : 450 l/min \ 120 GPM
With 300mm \ 12" water over fitting : 950 l/min \ 250 GPM
With 500mm \ 20" water over fitting : 1700 l/min \ 450GPM

TO SPECIFY & ORDER :
Base + Base Option + Fitting

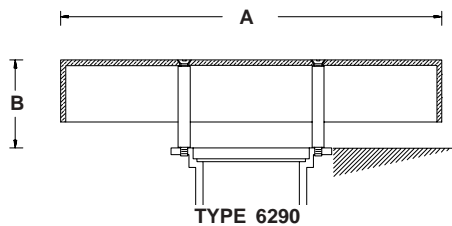


PEM 6284-1AV with Base 6114

CAST BRONZE DISCHARGE / INLET FITTINGS **PEM 6290**

PEM 6290-1 # 610-7800

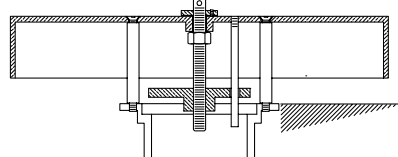
PEM 6290-2 # 610-7801



TYPE 6290

PEM 6290-1 Fittings are made of cast bronze, brass and stainless steel fasteners - factory fitted to choice of base. **PEM 6290-2** Fittings are as above but with formed plastic cover.

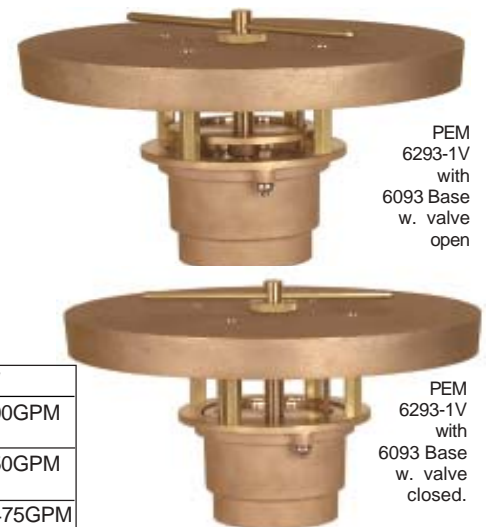
PEM 6290 Discharge or Inlet Fittings with diffusing covers are designed for use as bottom water inlet without causing undue surface turbulence. For multiple installation these fittings can be supplied with flow regulators with non rising valving stems (V).



TYPE 6290 'V' (WITH FLOW ADJUSTMENT)

PEM #	A	B	Max.FLOW	
6291	610-7810	203mm\8.0"	64mm\2.5"	380L/min\100GPM
6291V	610-7820			
6293	610-7840	330mm\13.0"	89mm\3.5"	950L/min\250GPM
6293V	610-7850			
6296	610-7870	375mm\14.75"	89mm\3.5"	1700L/min\475GPM
6296V	610-7880			

TO SPECIFY & ORDER : Base + Base Option + Fitting



PEM 6293-1V with 6093 Base w. valve open

PEM 6293-1V with 6093 Base w. valve closed.