

PEM03-4 Swivel mounted Clearstream Jets are for the creation of exceptional clear stream performance spray rings or other spray manifolds that require all equally even unbroken streams of water. The built in pressure reduction in each jet equalizes the output of a number of jets on a common spray manifold.

Minimum pipe size for equalizing spray manifold = 3" - 76mm. For strainer size check technical information in back of catalog. Pipe Connection is 1/2" Male NPT. Included angle of directional adjustment of jet = 30°

Due to its construction this jet is to be used solely in vandal free locations.

PEM 03-4 is made of brass, chrome plating available at extra cost.

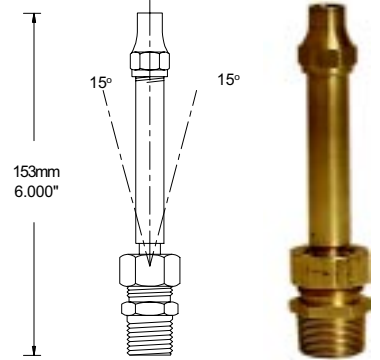
DIMENSIONS :

OV	153mm\6.000"
SS	3mm\0.125"
T	1/2" NPT (male)

PERFORMANCES :

V	FI	MC
m	L	m
1.00	14.0	4.9
1.50	17.0	6.9
2.00	19.0	8.5
3.00	23.0	11.7
4.00	26.0	13.8
5.00	29.0	15.6
6.00	31.0	18.3
Ft	G	Ft
5.0	4.2	23
10.0	6.3	39
15.0	7.3	48
20.0	8.2	60

#504-2300 PEM 03-4 Clear Stream Jet with Pressure Equalizer



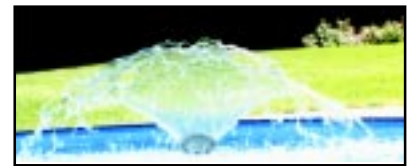
PEM 07-1 is made of cast bronze and stainless steel fitted. For vertical performances convert H1 to V and reduce 50% approximately and increase H2 to 200% approximately. Water supply to jet must be non turbulent for solid sheet of water effect with straight inflow pipe length of 10 x pipe size. Best solid sheet performances are up to H1 = 0.75 m \ 2.5 Ft.

For vertical, high, spray effect on vertical riser pipe, use a 90 degree street elbow to mount jet.

DIMENSIONS :

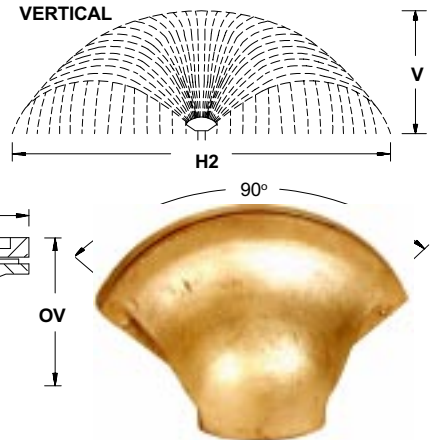
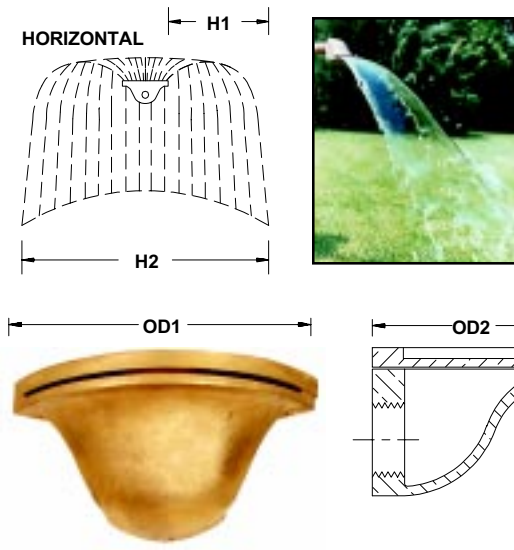
OV	93mm\3.670"
OD1	191mm\7.520"
OD2	124mm\4.890"
SS	3mm\0.125"
T	# 504-3110 / 07-1-1:1 1/2"
T	# 504-3120 / 07-1-2:2"

#504-3100 PEM 07-1 90° Sheet of Water Jet



PERFORMANCES IN WALL MOUNTED, HORIZONTAL OUTPUT POSITION 0.5 M \ 20" ABOVE WATERLEVEL.

H1	H2	FI	MC
m	m	L	m
0.25	0.45	57	0.70
0.50	0.80	110	1.50
0.75	1.10	152	2.30
1.00	1.30	185	3.05
1.50	1.80	246	4.70
2.00	2.40	314	7.30
Inches	Inches	G	Ft
12"	21"	19	2.5
24"	27"	33	5.7
36"	49"	45	9.0
48"	59"	55	12.3
60"	70"	65	15.4
72"	82"	75	18.8



PEM 07-3 is made of cast bronze and is stainless steel fitted. For vertical performances convert H1 to V and reduce 50% approx. and increase H2 to 160% approx. Best solid sheet performances are up to H1 = 0.75 m \ 2.5 Ft. Water supply to jet must be non turbulent for solid sheet of water effect with straight inflow pipe length of 10 x pipe size. For vertical, high, spray effects on vertical riser pipe, use a 90 degree street elbow to mount jet.

PERFORMANCES IN WALL MOUNTED, HORIZONTAL OUTPUT POSITION 0.5 M \ 20" ABOVE WATERLEVEL.

H1	H2	FI	MC
m	m	L	m
0.25	0.70	120	0.70
0.50	1.20	230	1.50
0.75	1.70	318	2.30
1.00	2.20	382	3.05
1.50	3.20	516	4.70
2.00	4.20	660	7.30
Inches	Inches	G	Ft
12"	35"	37	2.5
24"	55"	66	5.7
36"	79"	98	9.0
48"	99"	117	12.3
60"	120"	138	15.4
72"	150"	159	18.8

DIMENSIONS :

OV	94mm\3.710"
OD1	210mm\8.270"
OD2	117mm\4.610"
SS	3mm\0.125"
T	2"

#504-3200 PEM 07-3 170° Sheet of Water Jet

