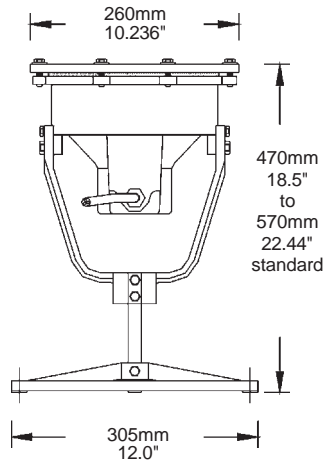


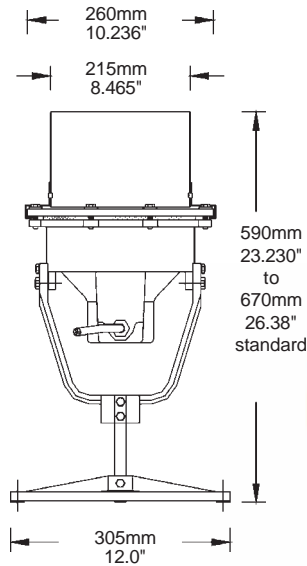
PEM E 600A & E500A
Lightfixtures are available:

For custom fitting of
LED Illumination
on PAR 56 Size Plates
or
For custom fitting of
PAR 56 Size Strobes
or
PAR 56 HID Lamps
Please enquire.

SUBMERSIBLE LIGHTFIXTURE **PEM E600** FOR DICHRO COLOR ILLUMINATION



E600 A/-B4A



E600 A/-0-5/-B4A
Fixture w.dichro lens shade



E600A /-B4A
Ring Stand Mounting
Higher Stands Optional & Extra



E600 A/-0-5/-B4A
Ring Stand Mounting
Higher Stands Optional & Extra

LAMPS: OPTIONAL

120V & 240V, PAR56 (See Page 307)
Sealed Beam Lamps, Base (GX16d).
Max. 120V - 300W & 500W & 240V - 300W & 500W.
12V & 24V, PAR56 (See Page 307)
Sealed Beam Lamps, Screw Connections.
Max. 24V - 250W, 12V - 120W, 240W & 300W.

CONSTRUCTION OF LIGHTFIXTURE:

HOUSING & FACERING:

Cast bronze (85/5/5 Copper Alloy) with stainless steel fasteners.
Facering has cast in tightening torque specification for facering bolts.

CABLE:

Approved for the purpose electrical cable with epoxy encapsulated
compression type cable entry into housing.
See page 308 & 309 for low voltage cable size and length.

LAMP CONNECTOR:

120V / 240V : Ceramic, Mogul PAR connector GX 16d (flat pins) with
high temperature leads and (3) holding clamps.
12V & 24V : Fork Connectors and (3) holding clamps.

LENS: 213mm / 8.375" diameter. See page 310.

STANDARD: FLAT CLEAR LENS.

OPTIONAL: FLAT DICHRO COLOR LENS. Choice of 10 colors.

INTERNAL DICHRO COLOR FILTER ADAPTER

TYPE -2-1, for 161mm / 6.338" diameter x 2+mm Dichro Color Filter.

TYPE -2-2, for 168mm / 6.614" diameter x 2+mm Dichro Color Filter.

For internally mounted dichro color filters by various manufacturers.

Must be high heat resistant & tempered. Adapter has 3 point filter holding.

OPTIONAL: Convex Dichro Colour Lens, in 10 colours

LENS GASKET:

Custom molded U shaped made of material approved for the application.

DICHROIC LENS SHADE: -0-5 Required for clean color illumination.

THERMAL CUT - OFF: OPTIONAL

Factory installed integral thermal cut off for 240V, 120V, 24V & 12V.

ROCKGUARD: OPTIONAL.

LENSGUARD, PART OF FACERING: OPTIONAL

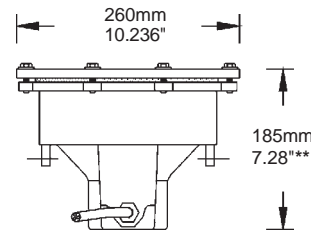
Must be used if required with Niche B69A. Optional for all others.

STAND OR MOUNTING ASSEMBLY: OPTIONAL.

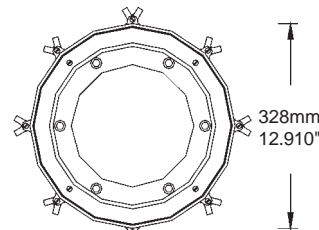
E600A/-0-5
with Dichro Lens Shade



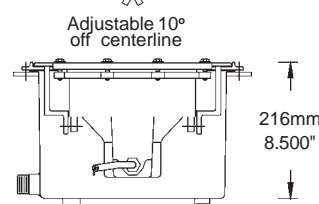
E600A
with Flat Lens



E600 A /-B69A
Niche Mounting



E600 A /-0-5 /-B7A
Yoke Mounting



** = For Convex
Lens add:
20mm / 0.75"

PEM E600

| | SERIAL | PEM | FOR LAMPS as Indicated (Not Included) | Cable | W. |
|---|---|-------------|--|-----------------------------------|-----|
| | 317-0000 | Cat. | 4 Circuits = Multiple Conductor Cable | Length & Size | Kg |
| | Select cable size to suit wattage (Amperage) of lamp(s) | | | | |
| | FOR PAR 56 SINGLE LAMP W. CORDSEAL, NO STAND, NO CABLE | | | | |
|  | 317-0111 | E600A-1-1 | For 12VAC, max. 300W | 2 x 6.0mm ² | 6.3 |
| | 317-0211 | E600A-1-2 | For 24V, max. 250W | 2 x 4.0mm ² | 5.4 |
| E600A | 317-0311 | E600A-1-3 | For 240V, max. 500W | 3 x 1.5mm ² | 5.8 |
| | FOR PAR 56 SINGLE LAMP, NO STAND, WITH CABLE | | | | |
|  | 317-0211 | E600A-2-1 | For 12VAC, max. 300W | 2.7m x 2 x 6.0mm ² | 6.3 |
| | 317-0214 | E600A-2-1 | For 12VAC, max. 300W | 5.0m x 2 x 6.0mm ² | 8.2 |
| E600A+ 10-9 | 317-0221 | E600A-2-3 | For 24VAC, max. 250W | 2.7m x 2 x 4.0mm ² | 5.4 |
| | 317-0231 | E600A-2-5 | For 240VAC, max. 500W | 2.7m x 3 x 1.5mm ² | 5.8 |
| | 317-0241 | E600A-2-6 | For 12VAC, max. 300W, CSA, UL | 2.7mx10/3 STWA/SOW | 9.8 |
| | 317-0251 | E600A-2-7 | For 24VAC, max. 250W, CSA, UL | 2.7mx12/3 STWA/SOW | 7.8 |
| | 317-0261 | E600A-2-8 | For 120VAC, max. 500W, CSA, UL | 2.7mx16/3 STWA/SOW | 6.5 |
| | FOR 8 LAMPS W. CORDSEAL, , NO STAND, NO CABLE | | | | |
|  | 317-0311 | E600A-3-1-1 | For 8 x GU10, 240V., Single Circuit | 3 x 1.5mm ² | 5.3 |
| | 317-0321 | E600A-3-1-2 | For 8 x GU10, 240V., Single Circuit | 3 x 2.5mm ² | 5.3 |
| | 317-0411 | E600A-3-4-1 | For 8 x GU10, 240V, 4 Circuits | 6 x 1.5mm ² | 5.3 |
| | 317-0421 | E600A-3-4-2 | For 8 x GU10, 240V, 4 Circuits | 6 x 2.5mm ² | 5.3 |
| | 317-0511 | E600A-4-1-1 | For 8 x MR16, 12VAC, Single Circuit | 2 x 2.5mm ² | 5.3 |
| | 317-0521 | E600A-4-1-2 | For 8 x MR16, 12VAC, Single Color | 2 x 2 x 6.0mm ² | 6.3 |
| | 317-0651 | E600A-4-4-1 | For 8 x MR16, 12VAC, 4 Circuits | 16/6 AWG(6/2.5mm ²) | 5.3 |
| | 317-0661 | E600A-4-4-2 | For 8 x MR16, 12VAC, 4 Circuits | 16/9 AWG(9/2.5mm ²) | 5.3 |
| E600A-6 | FIXTURE W. CONVEX LENS, NO STAND, WITH CABLE | | | | |
|  | 317-0311 | E600A-5-1-1 | For 8 x GU10, 240V., Single Circuit | 2.7m x 3 x 1.5mm ² | 5.3 |
| | 317-0321 | E600A-5-1-2 | For 8 x GU10, 240V., Single Color | 2.7m x 3 x 2.5mm ² | 5.3 |
| | 317-0411 | E600A-5-4-3 | For 8 x GU10, 240V, 4 Circuits | 2.7m x 16/6 AWG | 6.4 |
| | 317-0421 | E600A-5-4-4 | For 8 x GU10, 240V, 4 Circuits | 2.7m x 16/9 AWG | 7.8 |
| | 317-0511 | E600A-6-1-1 | For 8 x MR16, 12VAC, Single Circuit | 2.7m x 3 x 2.5mm ² | 5.3 |
| | 317-0541 | E600A-6-1-2 | For 8 x MR16, 12VAC, Single Circuit | 2 x 2.7m x 2 x 6.0mm ² | 8.9 |
| | 317-0542 | E600A-6-1-3 | For 8 x MR16, 12VAC, Single Circuit | 2 x 5.0m x 2 x 6.0mm ² | 9.6 |
| | 317-0651 | E600A-6-4-1 | For 8 x MR16, 12VAC, 4 Circuits | 2.7m x 16/6 AWG | 6.4 |
| | 317-0661 | E600A-6-4-2 | For 8 x MR16, 12VAC, 4 Circuits | 2.7m x 16/9 AWG | 7.8 |
| E600A+B30-1 | ADD ON TO STANDARD FIXTURES | | | | |
|  | 391-3001 | 30-3 | 213mm Flat Clear Lens. | Cat. Page 310/Web INDEX 6 | 1.1 |
| | 391-3021/30 | 35-3-21/30 | 213mm Flat Dichro Color Lens. | Cat. Page 310/Web INDEX 6 | 1.1 |
| | 334-3593 | +/-0-5 | (B) Dichro Lens Shade | | 1.2 |
| | 334-3548 | +/-2-1 | Internal Holder for 161mm Color Filters | | 1.3 |
| | 334-3548 | +/-2-2 | Internal Holder for 168mm Color Filters | | 1.3 |
| | 350-0003 | +/-07 | Thermal Cut Off for 120 / 240V only | Factory wired only | 0.1 |
| | 350-1111 | +/-2A | 2. Cable entry, 240V, 3 x 1.5mm ² | Factory wired only | 0.1 |
| | 350-1113 | +/-2B | 2. Cable entry, 12V / 24V , 2 x 2.5mm ² | Factory wired only | 0.1 |
| | 350-1123 | +/-2C | 2. Cable entry, 12V / 24V , 2 x 4mm ² | Factory wired only | 0.2 |
| E600A+B69A-1 | 350-1133 | +/-2D | 2. Cable entry, 12V / 24V , 2 x 6mm ² | Factory wired only | 0.3 |
|  | 350-0014 | +/-10-3 | Bolt On Rock Guard | | 1.5 |
| | 350-0035 | +/-10-8 | Lensguard (In Addition To Lightfixture Only) | | 1.0 |
| | 350-0026 | +/-10-9 | Swing Up Rock Guard | | 0.7 |
| | 350-0220 | +/-B4A | B4A Ring Stand | | 7.2 |
| | 350-4062 | +/-B69A-1 | B69A-1 Stainless Steel Niche | Requires extra cable length | 9.0 |
| | 350-0320 | +/-B30-0 | B 30 Niche, Side Conduit, Brass fitted | Requires extra cable length | 3.7 |
| | 350-0321 | +/-B30-1 | B 30 Niche, Side Conduit, St.St. fitted | Requires extra cable length | 3.7 |
| | 350-0324 | +/-B30-4 | B 30 Niche, Bottom Conduit, Brass fitted | Requires extra cable length | 3.7 |
| E600A+B69A-1 tilted in Niche | 350-0325 | +/-B30-5 | B 30 Niche, Bottom Conduit, St.St. fitted | Requires extra cable length | 3.7 |
| | 362-20030 | PAR56 FSP | Full Spot Lamp, 240V, 500W, 2000+ Hrs | GX16d | 1 |
| | 362-20051 | PAR56 FSP | Full Spot Lamp, 24V, 250W, 2000+ Hrs | Bolt on connection | 1 |
| | 385-3330 | T301 | Transformer 240V,50Hzx12V/24V,300VA | P23,While stock last | 2.2 |