

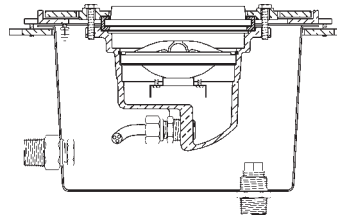
TYPES:

- C 133-1 + B46**
1 x AR111 Lamp (UL/cUL & CE)
Max. 12V, Submerged - 100W, - Dry - 50W
- C 133-3 + B46**
3 x MR16 Lamps (UL/cUL & CE)
Max. 12V*, Submerged 3 x 75W, Dry 3 x 20W
- C 133-4 + B46**
3 x MR16 Lamps (UL/cUL & CE) Submerged
Max. 120V, 3 x 1 x 50W for 3 COLOUR CHANGING
- C 133-5 + B46**
3 x GU10 Lamps (UL/cUL & CE)
Max. 120V, Submerged 3 x 50W, Dry 3 x 20W
- C 133-6 + B46** (UL/cUL & CE)
3 x GU10 Lamps (UL/cUL) Submerged
Max. 120V, 3 x 1 x 50W for 3 COLOUR CHANGING
- C 133-7 + B46** (UL/cUL & CE)
4 x MR16 Lamps (Submitted to UL,cUL approval)
Max. 12V*, Submerged 4 x 75W , Dry 4 x 20W
- C 133-8 + B46** (UL/cUL & CE)
4 x MR16 Lamps (Submitted to UL,cUL approval)
Max. 12V*, 4 x 1 x 50W for 4 COLOUR CHANGING
- C 133-9 + B46**
3 x GU10 Lamps
Max. 240V, Submerged 3 x 50W, Dry 3 x 20W
- C 133-10 + B46**
3 x GU10 Lamps Submerged
Max. 240V, 3 x 1 x 50W for 3 COLOUR CHANGING

12V* = Outside North America Max. 24 V

STAINLESS STEEL WET NICHE MOUNTED & DIRECTIONAL ADJUSTABLE SUBMERSIBLE LIGHT FIXTURES

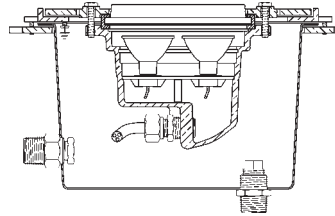
C133-1 + B46



C133-1 + B46
(Tilt to 15°)



C133- 3 to 8 + B46



C133-1 + B46



CONSTRUCTION OF LIGHTFIXTURE & NICHE

For use in fresh water, for seawater use, please enquire **FACEPLATE** for flush into concrete surface installation within grout frame. Bronze Casting with natural finish. Stainless Steel fitted.

NICHE: 304 Stainless Steel, Stainless Steel fitted

SEALED CONDUIT ENTRY INTO NICHE:

3/4" NPT / BSP Conduit entry with suitable cordseal.

See opposite page.

(-B11A) FLOOR INSTALLATION FACEPLATE OF NICHE.

(Optional & Extra) (Re-useable)

Made of aluminum for flush floor installation, to permit surface finishing.

NICHE DRAIN (Optional & Extra), 1/2" NPT/BSP with Plug

Vertical installed. Niches must have bottom drain in freezing climates.

(-B11B) WALL INSTALLATION OF NICHE

(Optional & Extra) (Re-useable)

For bolting to concrete wall form, 4 pcs fitting bolts, 50mm x 6mm.

FIXTURE HOUSING:

Cast bronze body and facering. Stainless Steel fitted.

LAMP(S): Not part of fixture.

LAMP HOLDER:

PAR36 or AR111 Lamps, Spring Ring

MR 16 Lamps, GX 5.3 Spring Clip Sockets

GU10 Lamps, GZ10 Twist Lock sockets

STANDARD LENS:

CONVEX LENS, Clear or 5 colors.

OPTIONAL LENS:

FLAT CLEAR LENS.

FLAT DICHRO COLOR LENS. Choice of 10 colors.

FLAT, CLEAR ARMoured LENS. 15mm thickness.

Replaces rockguard in certain applications.

LENS GASKET:

High Temperature Silicone Rubber, single 'U' shaped gasket with unique safety sealing lips and contours.

ELECTRICAL CABLE:

Approved for the purpose with integral epoxy encapsulated, compression type cable entry for in factory assembled fixture, see opposite page.

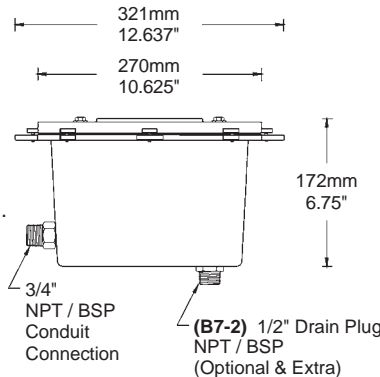
See page PEM catalog page 309 for cable size & length.

ROCKGUARD: OPTIONAL (Not for 14-9 Armoured Lens)

See selection of Rock Guards on opposite page

PEM C 133 + B46 replaces PEM C 132

C133 + 46

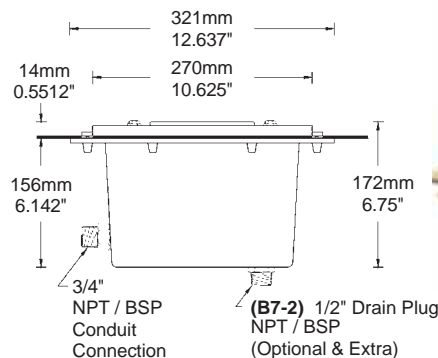


C133- 3 & 6 + B46



C133 + B46-63

WITH SURFACE MEMBRANE CLAMP
(Optional & Extra)



C133- 7 & 8 + B46



PEM C133+B46

2006-10



C133+B46



C133+B46



C133-1+B46-13



C133-3+B46-32



C133-7+B46-73



+/- -10-7

| SERIAL | PEM | | Cable | W. |
|--|-----------------------|--|-------------------------------|-----|
| 307-29000 | Cat. | | Length & Size | Kg |
| FOR LAMPS AS INDICATED (Not included) | | | | |
| Select cable size to suit lamp(s) wattage (Amperage) | | | | |
| FIXTURES W. CAST BRONZE NICHE, Cord, Niche Seal & Cable | | | | |
| 307-29113 | C133-1+B46-13 | For 1 x 12V, AR111/PAR 36 | 5.0m x 2 x 2.5mm ² | 4.9 |
| 307-29115 | C133-1+B46-15 | For 1 x 12V, AR111/PAR 36 | 5.0m x 2 x 4mm ² | 5.7 |
| 307-29118 | C133-9+B46-19 | For 1 x 12V, AR111/PAR 36 UL, cUL | 15/4.5m x 16/3 AWG | 6.2 |
| 307-29132 | C133-3+B46-32 | For 3 x 12V, MR16, single circuit | 5.0m x 2 x 1.5mm ² | 4.8 |
| 307-29133 | C133-3+B46-33 | For 3 x 12V, MR16, single circuit | 5.0m x 2 x 2.5mm ² | 5.2 |
| 307-29135 | C133-3+B46-35 | For 3 x 12V, MR16, single circuit | 5.0m x 2 x 4mm ² | 6 |
| 307-29136 | C133-3+B46-35 | For 3 x 12V, MR16, single circuit | 5.0m x 2 x 6mm ² | 6 |
| 307-29138 | C133-3+B46-36 | For 3 x 12V, MR16, single circuit,UL,cUL | 15/4.5m x 12/3 AWG | 6 |
| 307-29142 | C133-4+B46-42 | For 3 x 12V, MR16, 3 circuits | 5.0m x 5 x 1.5mm ² | 5.7 |
| 307-29143 | C133-4+B46-43 | For 3 x 12V, MR16, 3 circuits | 5.0m x 5 x 2.5mm ² | 5.3 |
| 307-29148 | C133-4+B46-44 | For 3 x 12V, MR16, 3 circuits,UL,cUL | 15/4.5m x 16/7 AWG | 4.6 |
| 307-29155 | C133-5+B46-55 | For 3 x 120, GU-10 , single circuit | 5.0m x 3 x 1.5mm ² | 4.8 |
| 307-29163 | C133-6+B46-63 | For 3 x 120, GU-10 , 3 circuits | 5.0m x 5 x 1.5mm ² | 5.2 |
| 309-29168 | C133-6+B46-65 | For 3 x 120, GU-10 , 3 circuits, UL,cUL | 15/4.5m x 16/7 AWG | 4.8 |
| 307-29173 | C133-7+B46-73 | For 4 x 12V, MR16, single circuit | 5.0m x 2 x 2.5mm ² | 5.2 |
| 307-29175 | C133-7+B46-75 | For 4 x 12V, MR16, single circuit | 5.0m x 2 x 4mm ² | 6 |
| 307-29176 | C133-7+B46-75 | For 4 x 12V, MR16, single circuit | 5.0m x 2 x 6mm ² | 6 |
| 307-29178 | C133-7+B46-76 | For 4 x 12V, MR16, single circuit,UL,cUL | 15/4.5m x 12/3 AWG | 6 |
| 307-29182 | C133-8+B46-82 | For 4 x 12V, MR16, 4 circuits | 5.0m x 5 x 1.5mm ² | 5.7 |
| 307-29183 | C133-8+B46-83 | For 4 x 12V, MR16, 4 circuits | 5.5m x 5 x 2.5mm | 5.4 |
| 307-29188 | C133-8+B46-84 | For 4 x 12V, MR16, 4 circuits,UL,cUL | 15/4.5m x 16/7 AWG | 4.6 |
| 307-29192 | C133-9+B46-82 | For 3 x 240V, GU-10 , single circuit | 5.0m x 3 x 1.5mm ² | 4.8 |
| 307-291202 | C133-10+B46-84 | For 3 x 240V, GU-10 , 3 circuits | 5.0m x 5 x 1.5mm ² | 6.8 |
| ADD ON TO STANDARD FIXTURES | | | | |
| 391-2001 | +/- -30-2 | 143mm Clear Flat Lens | See Catalog Page 310 | 0.1 |
| 391-2000 | +/- -35-2-? | 143mm Flat Dichro Color Lens. Color ? | See Catalog Page 310 | 0.1 |
| 391-0114 | +/- -B2214-2-9 | 143mm x 15mm Clear Flat Armored Lens | See Catalog Page 310 | 1.2 |
| 391-0431 | +13-2 | 143mm LensGasket, Silicone Rubber | See Catalog Page 310 | 0.1 |
| 350-0029 | +/- -10-7 | Lensguard (In Addition To Lightfixture Only) | | 0.7 |
| 350-4164 | +/- -63 | Surface Liner Clamp | | 2.3 |
| 350-4890 | +/- -58-09 | Tile Mask | | 1.9 |
| 385-3330 | T 301 | Transformer 240V,50Hz x 12V/24V, 300VA | CE / IP23 | 2.2 |